

Securing your link to Iridium's next generation satellite services

Compact and incredibly easy to install, the Intellian C700 Iridium Certus Connected terminal is the pinnacle of L-band satcom performance and reliability. It ensures that your link to the Iridium® NEXT network is always available so you can operate safer, smarter and more efficiently through the power of always available communication and digitally connected applications.



Next generation

Iridium CertusSM is a new portfolio of global satellite services powered by Iridium® NEXT, a ground-breaking L-band global satellite constellation, which features a cross-linked Low-Earth Orbit (LEO) architecture to provide 100% coverage over the earth's surface. With Intellian C700 providing your on board link, you are guaranteed high bandwidth IP connectivity and three high-quality voice lines for global calling wherever you are.

Heavyweight applications

Available for rack or hull mounted installation, Intellian C700 offers the most reliable connection to the Iridium® NEXT satellite network with speeds suitable for data-heavy applications including; videoconferencing, multi-user Internet/VPN, IoT and telemedicine, alongside regular usage including email, electronic forms/reporting and crew communication.

Operational continuity

Intellian's C700 terminal enable a variety of applications including safety, bridge and crew welfare communications, connected ship IoT capabilities like engine monitoring and remote diagnostics, as well as situational awareness reports. Developed for Iridium's global network and designed to provide the fastest L-band broadband service in the industry, the C700 deliver up to 352 Kbps transmission and 704 Kbps reception speeds through the Iridium Certus® platform.



MULTI-SERVICES PLATFORM

- ▶ IP Data (Background):
 - Downlink: 704kbps / Uplink: 352kbps
- ▶ Streaming IP: up to 256kbps (Dw/Up)
- ▶ Short Burst data (SBD)
- ▶ 3 simultaneous high-quality voice lines
- ▶ Location tracking

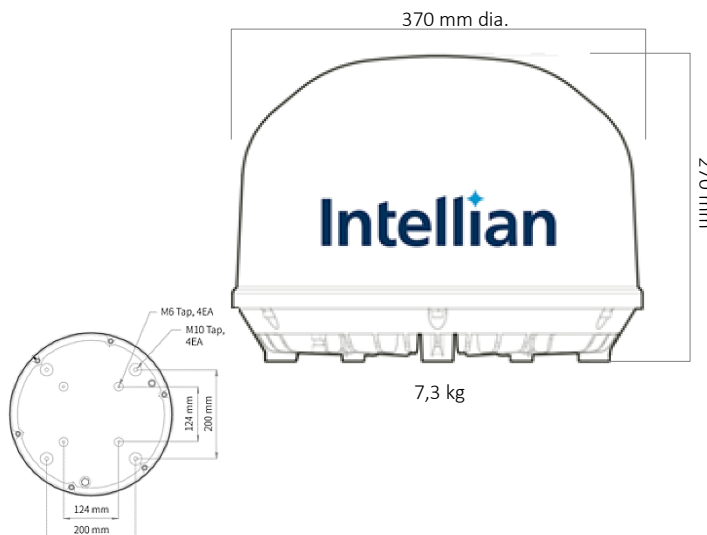
ADDITIONAL FEATURES

- ▶ 3 HD voice lines with Soft PBX function
- ▶ Connection up to 16 SIP phones
- ▶ 4-Port Ethernet (LAN) PoE and WAN
- ▶ Rackmount version available
- ▶ Powerful 12 Element Patch Phased-Array Ant.
- ▶ Most reliable and high throughput
- ▶ Single Coaxial Cable Antenna Connection
- ▶ Easy installation and simple configuration
- ▶ 3-Year Global Warranty - Parts & Labour
- ▶ Designed for min. 10-year operational lifetime
- ▶ GMDSS Ready
- ▶ Cyber Security Enhanced – Built-in Firewall and User Threat Management



Intellian C700 L-Band

The flexible global connectivity and voice Iridium solution



System Specification	
Size	280 x 183.5 x 41
Weight	1.2 kg
Power	DC Input 10.8 ~ 30 V DC Power (max) 120 W
Connectors	<ul style="list-style-type: none"> LAN 3 x RJ45 (2 PoE) WAN 1 x RJ45 Analog Phone 1 x RJ14 (2 x Analog Phone) Wireless 1 Wi-Fi (SMA RP) I/O 10 pin GPIO Other: SIM slot, Reset, On/Off, Ground
Approval	<ul style="list-style-type: none"> Type Approval CE/RED, FCC Certifications Iridium
Iridium Services	<ul style="list-style-type: none"> Voice 3 simultaneous HD voice lines IP Data, up to: 352 Kbps/704 Kbps (Up/Dw) IP Streaming: up to 256 Kbps (Up/Dw) Short Burst Data

ANTENNA SPECIFICATIONS	
High-gain (HGA) 2 Class, electronic phased array antenna to enable the fastest upload and download speeds to cover any vessel communications need from safety services to operational reporting and logging.	
Frequency of Operation	<ul style="list-style-type: none"> Uplink (TX) 1616 to 1626.0 MHz Downlink (RX) 1616 to 1626.5 MHz
Size	370 mm (D) x 270 mm (H)
Weight	7.3 kg
Power	Directly powered by the terminal
Operating Temp.	-25°C ~ + 55°C
Environmental Condition	<ul style="list-style-type: none"> Operating Temp. range: -25°C ~ + 55°C; Operating Humidity range: more than 95% Water Ingress: Antenna: IP56 - Terminal: IP31 Shock: IEC60068-2-27 (operation) IEC60721-3-6 Class 6M3 (survival) Vibration: IEC60945 (operation), IEC60721-3-6 Class 6M3 (survival)

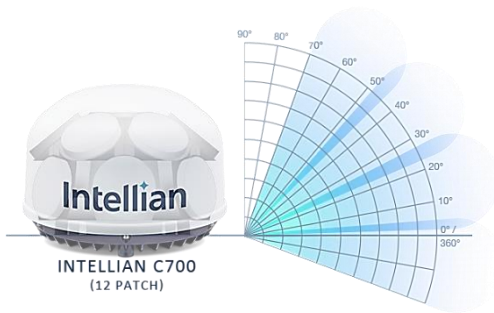


IP Data

- Data Background IP throughput: Downlink 704 Kbps / 352 Kbps (512 Kbps available soon)
- Data Streaming IP Data (virtual circuits) up to 256 Kbps.
Streaming IP supports apps such as encrypted voice up to video backhaul from UAVs
SBD service available

High Quality Voice

- New and improved voice codec for delivering superior voice quality.
- Double bandwidth allocated to HQ calls
 - Near toll-quality (3.5 MOS)
 - Low latency for real-time connection
 - Minimized distortions



THE MOST POWERFUL IRIDIUM CERTUS TERMINAL AVAILABLE

The Intellian C700 uses the most powerful 12 patch phased array antenna to deliver the highest performing and most reliable Certus® terminal, especially at low angles of elevation, which is critical in a maritime environment. The C700 provides the highest IP data speeds of up to 704 Kbps, and the H2 class high power amplifier supports uplink data speeds up to 352 Kbps as standard. Customers will gain both scalability and advanced performance over the Certus network whenever needed.



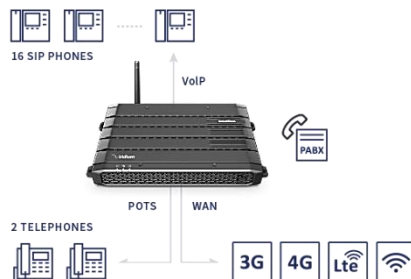
BEST - IN - CLASS FEATURES AND VALUE

The C700 delivers unparalleled features and value to users at both a technology and operational level. The C700 offers a variety of features such as three high-quality voice lines, a built-in firewall, 3G/LET WAN port, and soft PABX. These technical capabilities and GMDSS readiness make it ideal for both vessel operations and crew welfare services. It's easy to install and simple configuration, combined with Intellian's ability to ship from global logistic centers provides a lower cost of shipment and installation for customers and increased flexibility. The industry leading 3 year warranty policy and global service partners provide customers with reassurance and dependable communications wherever they operate.



A PERFECT VSAT COMPANION SOLUTION

Intellian is the No. 1 maritime VSAT manufacturer and global market leader. All Intellian C700 terminals are optimized as VSAT companion devices and can be delivered as a turnkey solution with a rack mount version available. The combination of Intellian's innovative VSAT Ku-band products, including the NX Series and the C700 system provide access to the most advanced and reliable connectivity products available. The C700 capabilities provide a more seamless connection and user experience when switching from VSAT. The Aptus platform provides advanced management and control for remote support and diagnostics, including easy to use API's, making it ideal as a VSAT out-of-band management solution



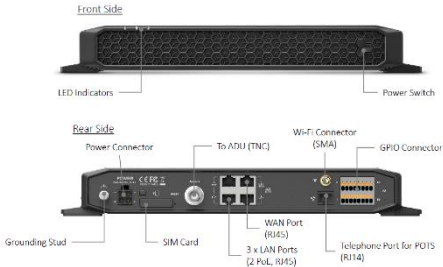
SYSTEM HIGHLIGHT

- The Most Powerful 12 Element Patch Phased-Array Antenna
- H2 Antenna Amplifier for 352 kbps uplink service
- Excellent low elevation angle performance handling heavy ship motion
- Easy installation and simple configuration
- Single Coaxial Cable Antenna Connection
- Built-in Firewall and User Threat Management
- GMDSS Ready
- Three simultaneous high quality voice lines
- 4-Port Ethernet (LAN) PoE and WAN
- Connection up to 16 SIP phones with Soft PBX function
- Designed for minimum 10-year operational lifetime
- 3-Year Global Warranty - Parts and Labour

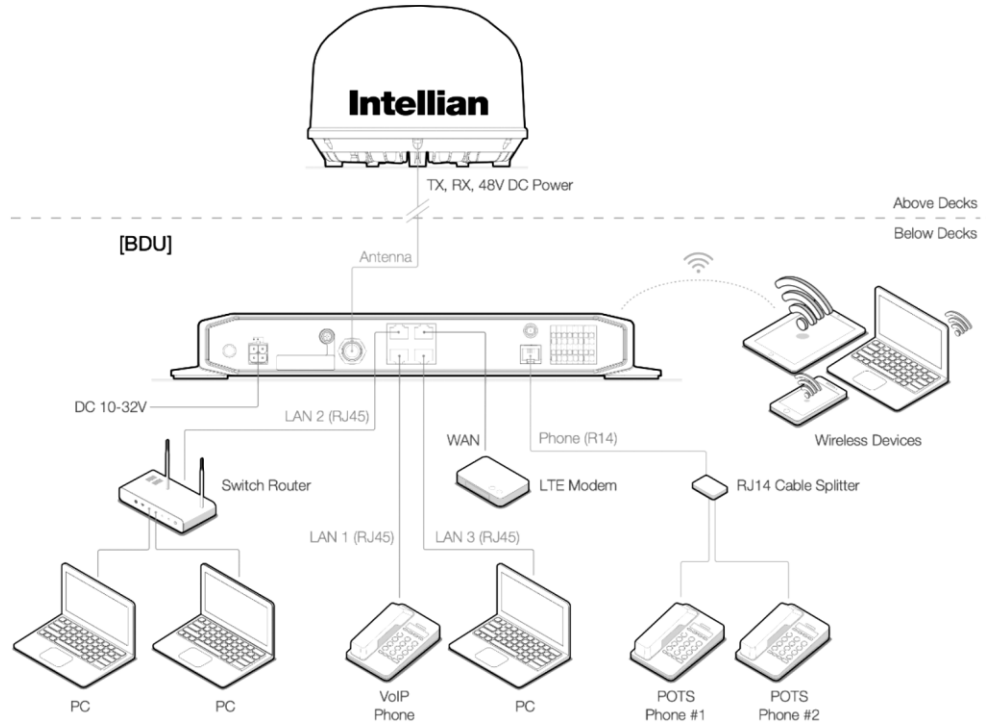


Enhancing Your
Connectivity
with Universat Italia Services

ALL IN ONE SOLUTION



- Analog Terminal Adapter (ATA)
- PABX
- Router
- Power over Ethernet (PoE)
- WAN
- Wi Fi
- Firewall
- No hidden cost in additional equipment, installation and configuration, less points of failure



AVAILABLE



- AptusLX intuitive and easy to use.
- Embedded in terminal
- Accessible via LAN and Wi Fi from a Smartphone, tablet or PC.
- Login locally onboard and from remote over the air.
- Go to <https://portal.certus.local/>

WHAT' S IN THE BOX?



STAND ALONE VERSION:

- Above Deck Unit (ADU)
- 25 meter Antenna Cable (TNC/TNC)
- Drilling Template
- Below Deck Unit (BDU)
- 1 meter DC Power Cable
- Quick Installation Guide
- Weight: 20 kg / 44 lbs
- Size: 52 x 52 x 51 cm / 20.5 x 20.5 x 20 inch

RACK MOUNT VERSION:

- as per STAND ALONE VERSION
- AC/DC Power Adapter (incl. EU & US Power Cable)
- 19" Rack Mount Panel & Cable Support Bracket
- Size: 52 x 52 x 51 cm / 20.5 x 20.5 x 20 inch